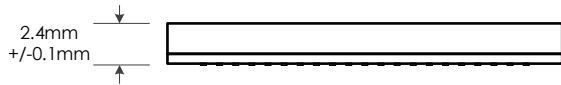
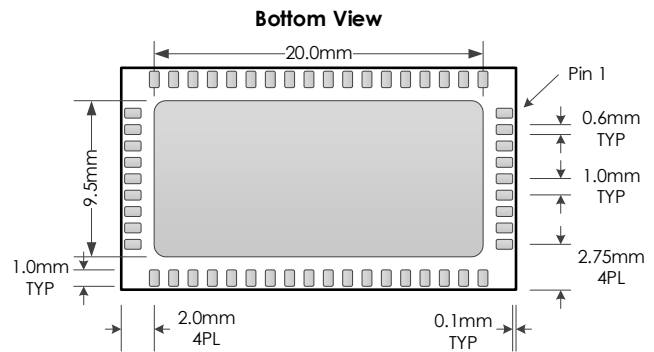
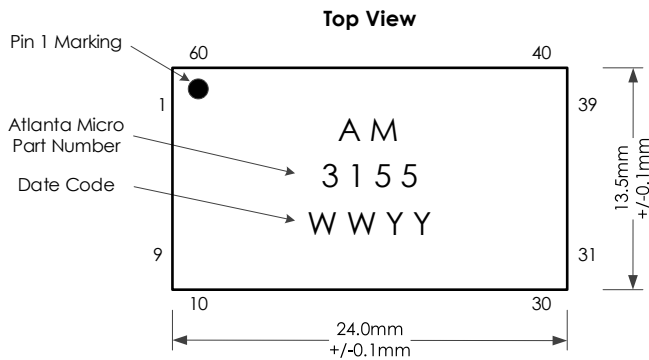


QFN100P1350x2400x240-60 Package Details

Overmolded 13.5mm x 24mm 60 Lead QFN



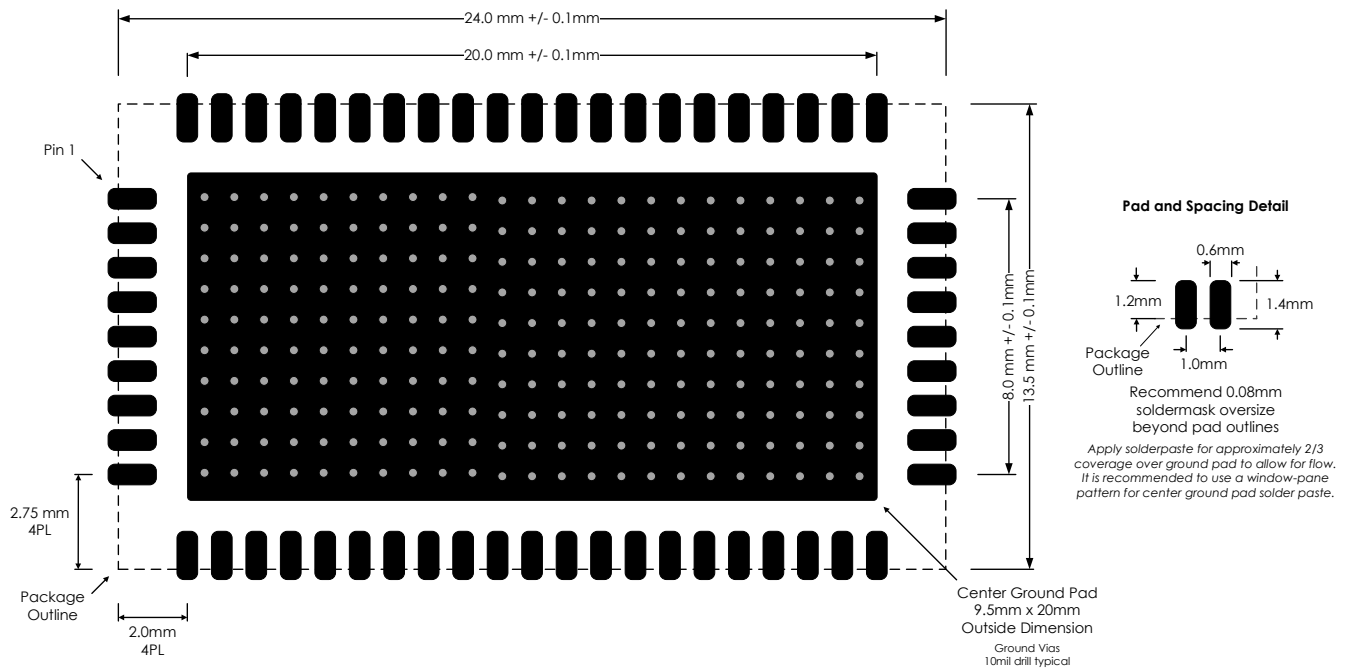
Package Drawing



Notes:

1. All dimensions shown are in mm
2. Substrate material: Isola 370HR
3. Lid material: Sumitomo G770HF-E
4. Lead finish: ENEPIG

Recommended Footprint



To obtain price, delivery, or to place an order contact sales@atlantamicro.com
 Atlanta Micro Inc., 3720 Davinci Ct, Suite 125, Peachtree Corners, GA 30092 • Phone: (470) 253-7640 • www.atlantamicro.com

QFN100P1350x2400x240-60 Package Details

Overmolded 13.5mm x 24mm 60 Lead QFN



Package Naming Convention

- QFN** - Quad Flat No-Lead
- 100** - Pitch = 1.00mm
- 1350** - Body Width = 13.50mm
- 2400** - Body Length = 24.00mm
- 240** - Height = 2.40mm
- 60** - Pin Quantity

*Based on IPC-7351B naming convention

Revision History

Date	Revision Number	Notes
May 10, 2022	1	Initial Release