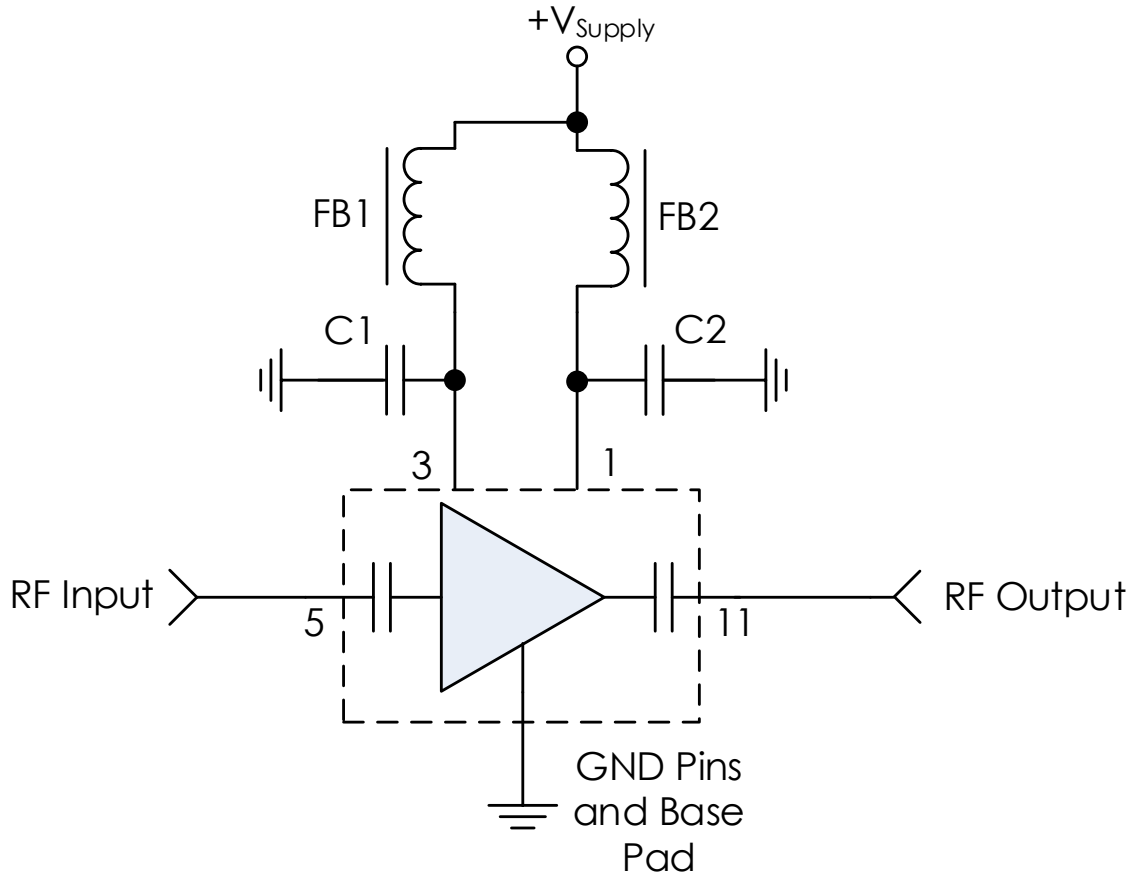


3mm 12 Lead Amplifier Application Note

Dual VDD



Typical Application



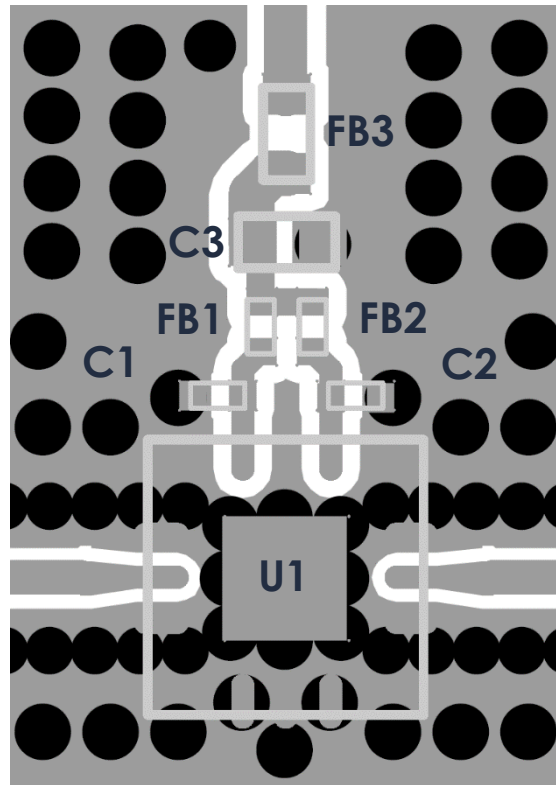
Recommended Component List (or equivalent):

Part	Value	Part Number	Manufacturer
C1, C2	0.1 μ F	GRM033R61E104KE14J	Murata
FB1, FB2	-	MMZ0603S102HT000	TDK

3mm 12 Lead Amplifier Application Note

Dual VDD

Recommended Layout



Notes:

1. No DC blocks needed on RF input and output as IC is internally DC blocked.
2. Recommended input trace is grounded coplanar waveguide, 50 ohms.
3. IC and RF input / output should be via fenced.
4. Vias should be placed under IC and GND pads.
5. FB3 = MMZ1005A222E and C3 = GRM155R71C104KA88 in layout above. Components included for extra power supply rejection and not necessary for part operation.
6. If top layer dielectric is < 6 mils then ground cutouts should be added under pins 5 and 11 to minimize parasitic capacitance on layers until ground reference is 6mils or greater. A cutout of 0.4mm x 0.8mm is recommended.

Revision History

Date	Revision Number	Notes
August 5, 2021	1	Initial Release