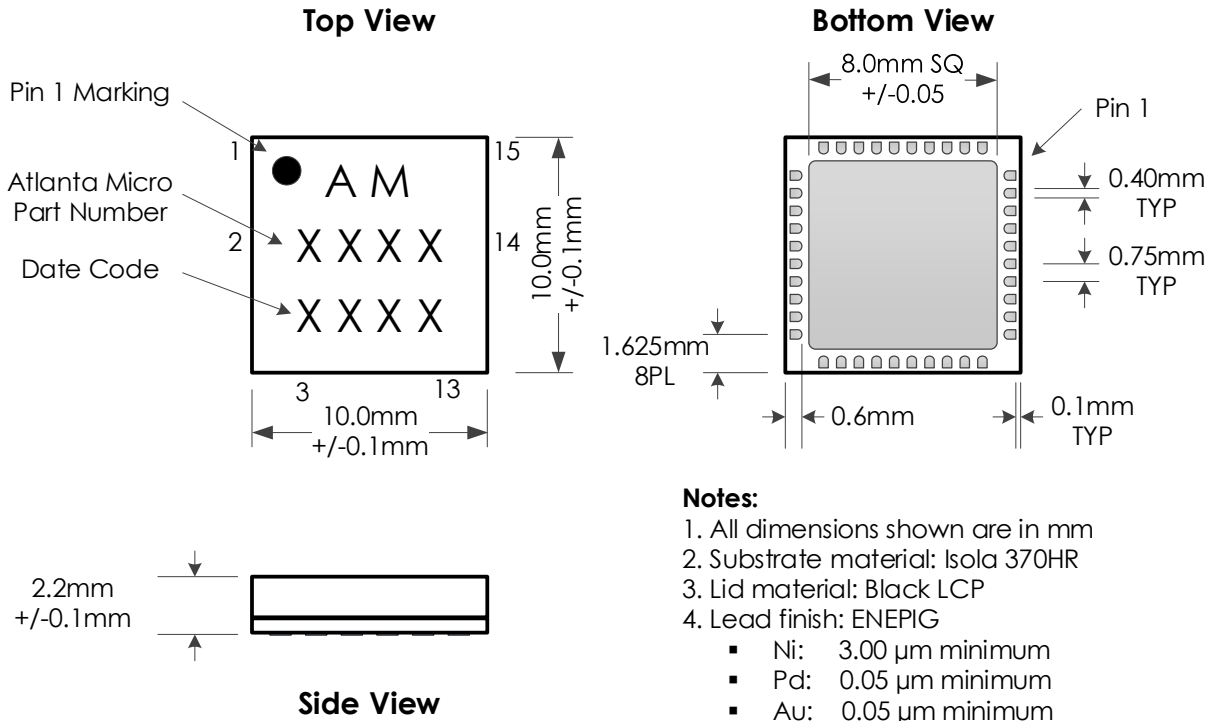


# QFN75P1000x1000x220-40 Package Details

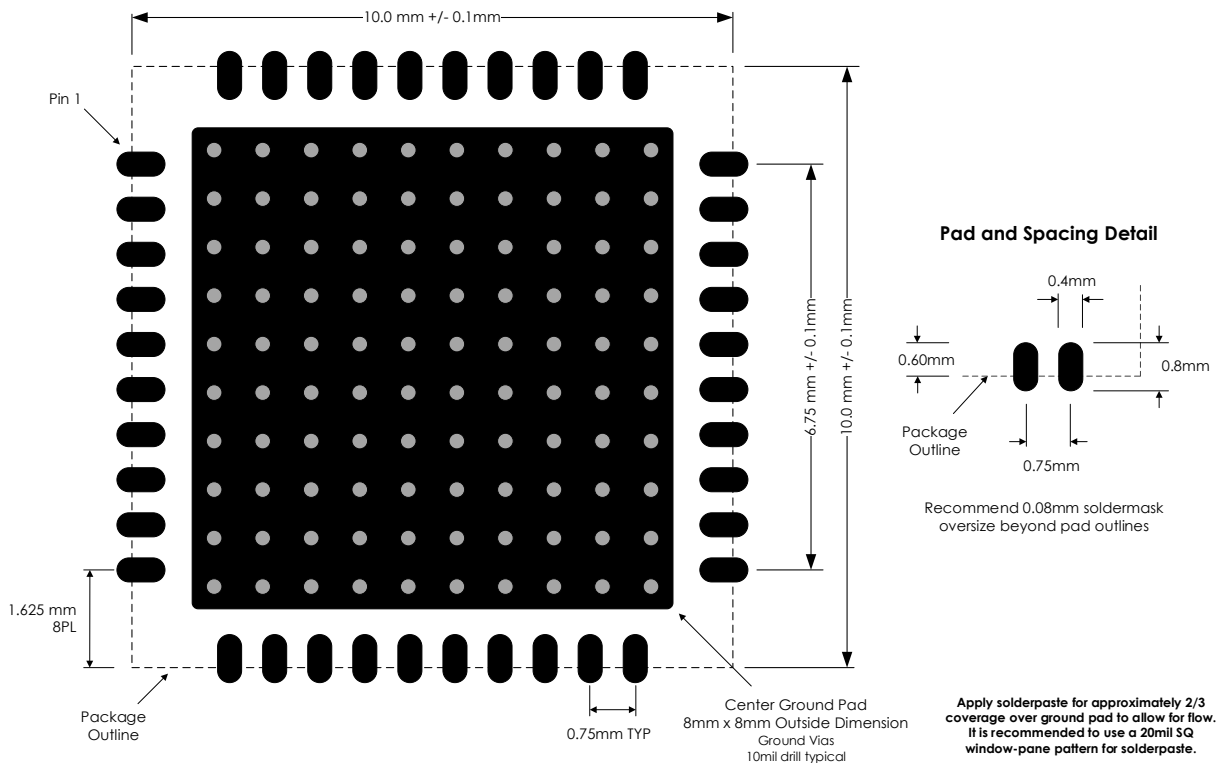
Hybrid FR4/Plastic 10mm 40 Lead Leadless Chip Carrier



## Package Drawing



## Recommended Footprint



To obtain price, delivery, or to place an order contact [sales@atlantamicro.com](mailto:sales@atlantamicro.com)  
Atlanta Micro Inc., 3720 Davinci Ct, Suite 125, Peachtree Corners, GA 30092 • Phone: (470) 253-7640 • [www.atlantamicro.com](http://www.atlantamicro.com)

# QFN75P1000x1000x220-40 Package Details

Hybrid FR4/Plastic 10mm 40 Lead Leadless Chip Carrier



## Package Naming Convention

- QFN** - Quad Flat No-Lead
- 75** - Pitch = 0.75mm
- 1000** - Body Width = 10.00mm
- 1000** - Body Length = 10.00mm
- 220** - Height = 2.20mm
- 40** - Pin Quantity

\*Based on IPC-7351B naming convention

## Revision History

| Date          | Revision Number | Notes           |
|---------------|-----------------|-----------------|
| June 11, 2021 | 1               | Initial Release |