

Amplifier Module

Standard Amplifier

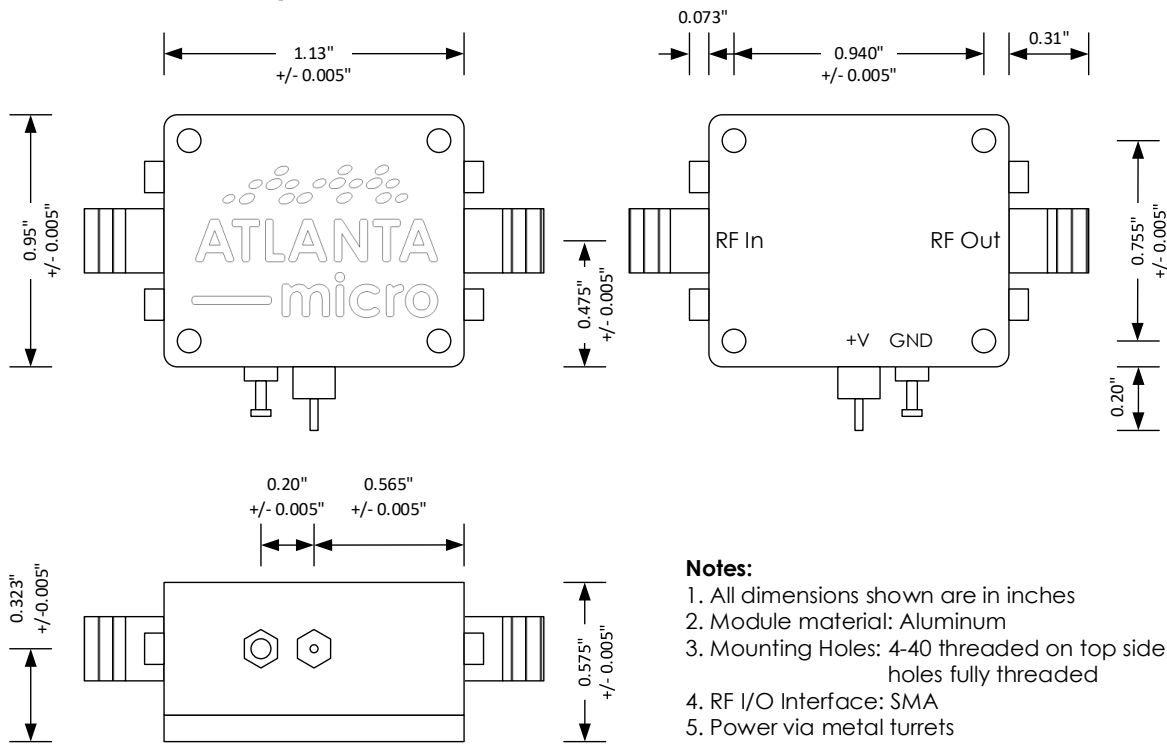


RF Shielded Module Details



Top View

Bottom View



Notes:

1. All dimensions shown are in inches
2. Module material: Aluminum
3. Mounting Holes: 4-40 threaded on top side, holes fully threaded
4. RF I/O Interface: SMA
5. Power via metal turrets

Front View

Amplifier Module

Standard Amplifier



Revision History

Date	Revision Number	Notes
April 8, 2020	1	Initial Release
October 2, 2023	2	Tolerance updated. SMA screws shown.
April 8, 2024	3	Added missing dimension. Module height modified to reflect latest revisions. Note about thread depth added.