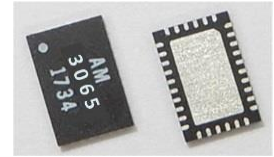


AM3065 – Filter Bank

Digitally Tunable 6.0 to 12.0 GHz Bandpass

Description

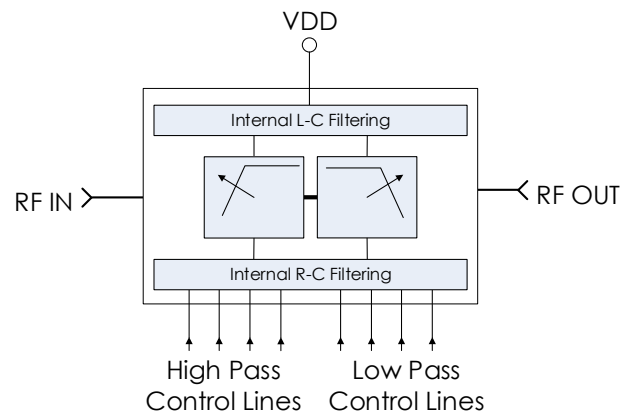
AM3065 is a miniature filter IC containing digitally tunable bandpass filters covering the 6.0 GHz to 12.0 GHz frequency range. Separate low-pass and high-pass tuning voltages provide independent control of both center frequency and bandwidth. AM3065 provides an excellent filtering solution for a receiver or transceiver requiring flexible center frequency and bandwidth, high dynamic range, and small size, weight, and power consumption.



Features

- Digitally Tunable Bandpass Filters
- Independent LP and HP Control
- Integrated Control Line Filtering
- +3.3V to +5.0V Supply
- 4.0 dB Insertion Loss
- +40dBm Input IP3
- +24 dBm Input P1dB
- -40C to +85C Operation

Functional Diagram



Characteristic Performance

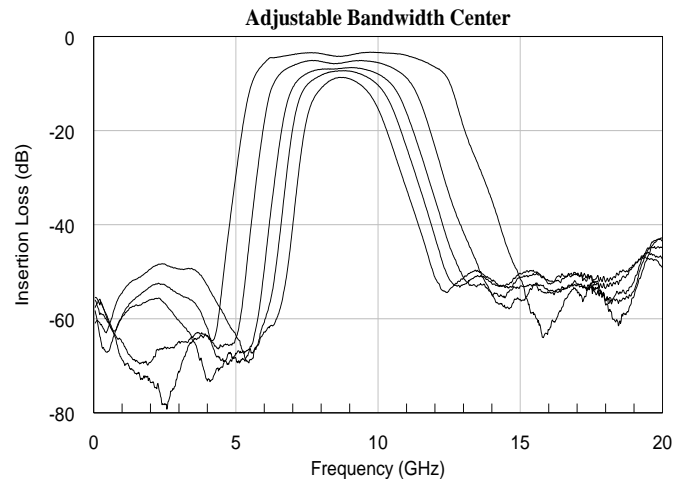
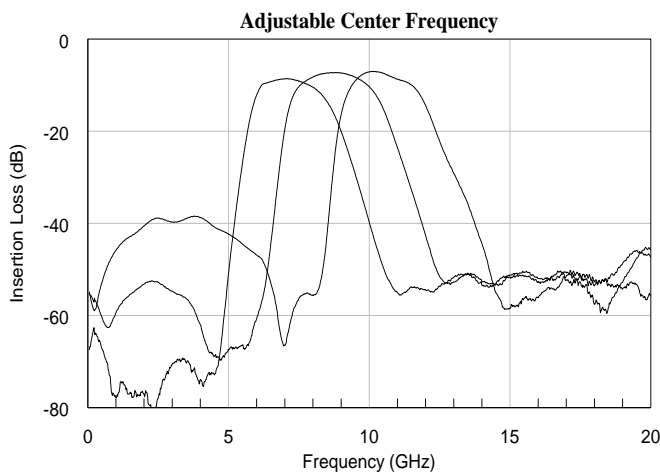


Table of Contents

Description	1	DC Electrical Characteristics.....	5
Features	1	RF Performance.....	5
Functional Diagram	1	Timing Characteristics	5
Characteristic Performance	1	State Table	6
Revision History	2	Typical Performance	7
Pin Layout and Definitions	3	Typical Application	8
Specifications	4	Package Details	9
Absolute Maximum Ratings.....	4	Evaluation PC Board	10
Handling Information.....	4	Related Parts	10
Recommended Operating Conditions ...	4	Component Compliance Information	11

Revision History

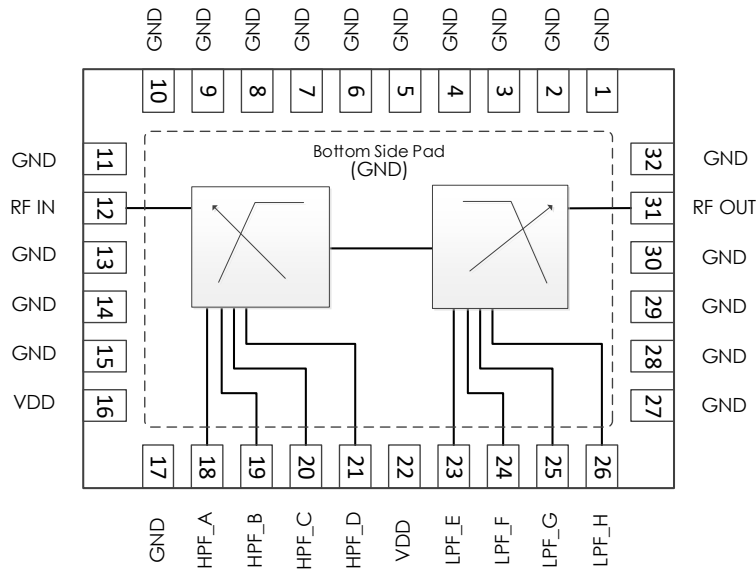
Date	Revision Number	Notes
February 6, 2018	1	Initial Release
February 8, 2018	2	Part Picture and Additional Descriptors Added
April 19, 2018	3	Control Table Added
June 19, 2018	4	Updated for New Datasheet Format with More Comprehensive Part Information
January 29, 2019	5	Labeled Evaluation Board Switches

AM3065 – Filter Bank

Digitally Tunable 6.0 to 12.0 GHz Bandpass



Pin Layout and Definitions



Pin Number	Pin Name	Pin Function
1-11	GND	Ground
12	RF IN	RF Input – 50 Ohms – DC Coupled. External DC Block Required
13-15	GND	Ground
16	VDD	DC Power Input
17	GND	Ground
18	HPF_A	High Pass Filter Control Bit A
19	HPF_B	High Pass Filter Control Bit B
20	HPF_C	High Pass Filter Control Bit C
21	HPF_D	High Pass Filter Control Bit D
22	VDD	DC Power Input
23	LPF_E	Low Pass Filter Control Bit E
24	LPF_F	Low Pass Filter Control Bit F
25	LPF_G	Low Pass Filter Control Bit G
26	LPF_H	Low Pass Filter Control Bit H
27-30	GND	Ground
31	RF OUT	RF Output – 50 Ohms – DC Coupled. External DC Block Required
32	GND	Ground
Case GND	GND	Ground

AM3065 – Filter Bank

Digitally Tunable 6.0 to 12.0 GHz Bandpass



Specifications

Absolute Maximum Ratings

	Minimum	Maximum
Supply Voltage	-0.3 V	+10.0 V
RF Input Power		+27 dBm
Operating Junction Temperature	-40 C	+150 C
Storage Temperature Range	-50 C	+150 C

Note: Any device operation beyond the Absolute Maximum Ratings may result in permanent damage to the device. The values listed in this table are extremes and do not imply functional operation of the device at these or any other conditions beyond what is listed under Recommended Operating Conditions. Any part subjected to conditions outside of what is recommended for an extended amount of time may suffer from reliability concerns.

Handling Information

	Minimum	Maximum
Storage Temperature Range (Recommended)	-50 C	+125 C
Moisture Sensitivity Level	MSL 3	



Atlanta Micro products are electrostatic sensitive.
Follow safe handling practices to avoid damage

Recommended Operating Conditions

	Minimum	Typical	Maximum
Supply Voltage	+3.0 V	+5.0 V	+5.2 V
Operating Case Temperature	-40 C		+85 C
Operating Junction Temperature	-40 C		+125 C

AM3065 – Filter Bank

Digitally Tunable 6.0 to 12.0 GHz Bandpass

DC Electrical Characteristics

(T = 25 °C unless otherwise specified)

Parameter	Testing Conditions	Minimum	Typical	Maximum
DC Supply Voltage		+3.0 V	+5.0 V	+5.2 V
DC Supply Current	VDD = +5.0 V		2 mA	
Power Dissipated	VDD = +5.0 V		10 mW	
Logic Level Low		-0.1 V		+0.5 V
Logic Level High		+2.0 V		+VDD V

RF Performance

(T = 25 °C unless otherwise specified)

Parameter	Testing Conditions	Minimum	Typical	Maximum
Frequency Range		6.0 GHz		12.0 GHz
Insertion Loss	f = 6.5 GHz		4.3 dB	
	f = 9.5 GHz		3.3 dB	
	f = 11.5 GHz		5.0 dB	
Return Loss	f = 6.5 GHz		17.4 dB	
	f = 9.5 GHz		20.1 dB	
	f = 11.5 GHz		16.8 dB	
Output IP3			+40 dBm	
Input P1dB			+24 dBm	

Timing Characteristics

Parameter	Minimum	Typical	Maximum
Switching Speed		1 μ s	

AM3065 – Filter Bank

Digitally Tunable 6.0 to 12.0 GHz Bandpass



State Table

High Pass Control Lines				Typical Cutoff Frequency (GHz)
D	C	B	A	
L	L	L	L	6.00
L	L	L	H	6.07
L	L	H	L	6.19
L	L	H	H	6.30
L	H	L	L	6.41
L	H	L	H	6.55
L	H	H	L	6.76
L	H	H	H	6.85
H	L	L	L	6.95
H	L	L	H	7.05
H	L	H	L	7.31
H	L	H	H	7.58
H	H	L	L	7.96
H	H	L	H	8.40
H	H	H	L	9.10
H	H	H	H	9.87

Low Pass Control Lines				Typical Cutoff Frequency (GHz)
H	G	F	E	
L	L	L	L	5.84
L	L	L	H	6.04
L	L	H	L	6.11
L	L	H	H	6.34
L	H	L	L	6.52
L	H	L	H	6.69
L	H	H	L	6.79
L	H	H	H	7.14
H	L	L	L	7.71
H	L	L	H	8.19
H	L	H	L	8.88
H	L	H	H	9.47
H	H	L	L	9.96
H	H	L	H	10.66
H	H	H	L	11.36
H	H	H	H	12.52

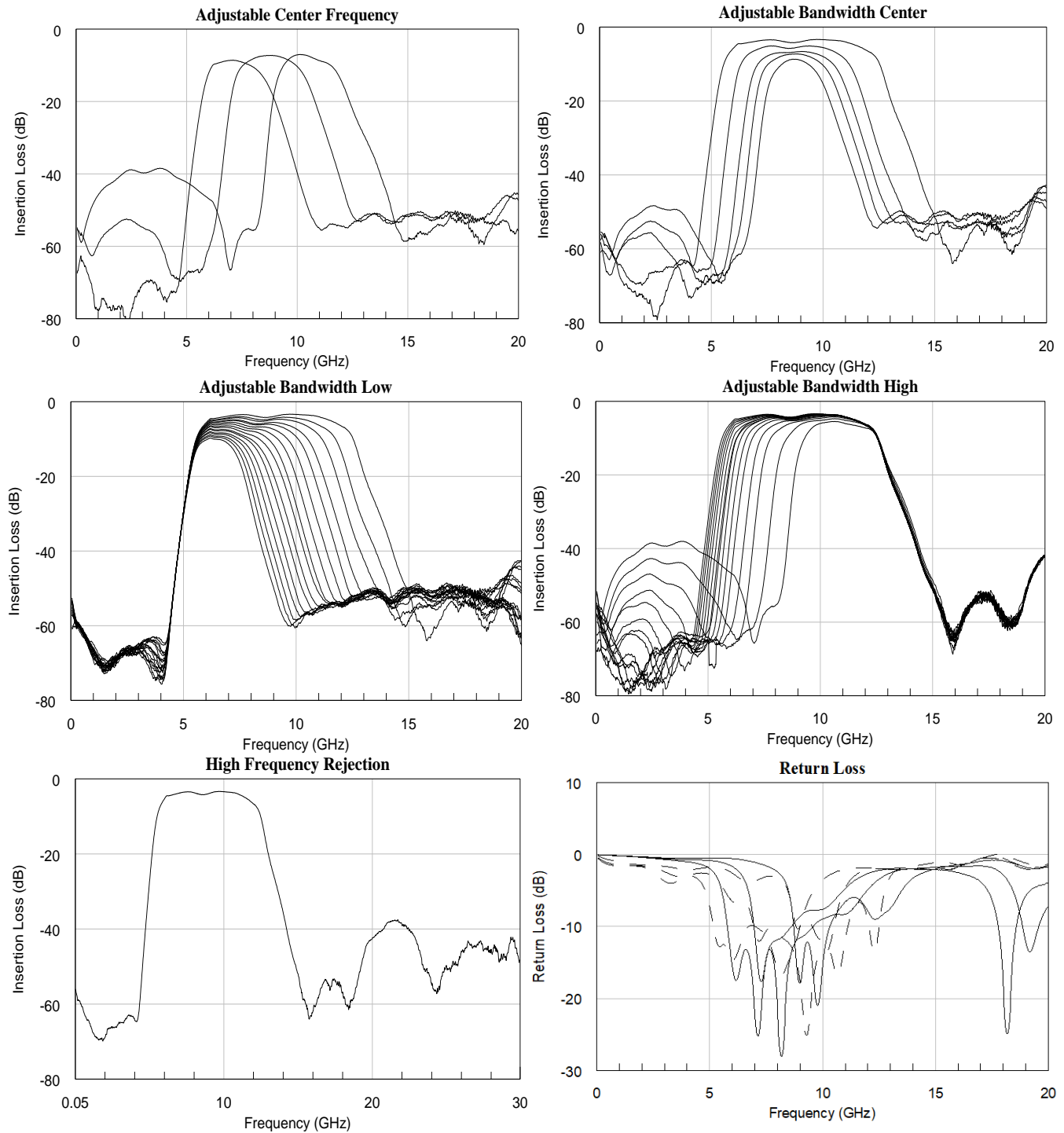
To obtain price, delivery, or to place an order contact sales@atlantamicro.com
Atlanta Micro Inc., 3720 Davinci Ct, Suite 125, Norcross, GA 30092 • Phone: (470) 253-7640 • www.atlantamicro.com

AM3065 – Filter Bank

Digitally Tunable 6.0 to 12.0 GHz Bandpass

Typical Performance

(Note: Only some states shown for simplicity)

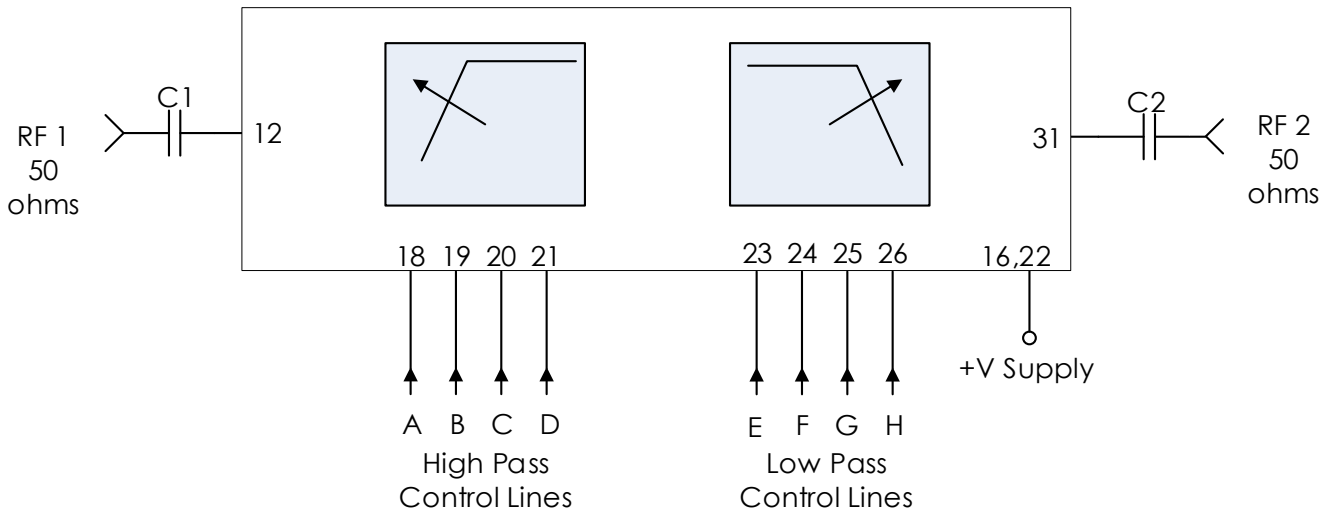


AM3065 – Filter Bank

Digitally Tunable 6.0 to 12.0 GHz Bandpass



Typical Application



Recommended Component List (or equivalent):

Part	Value	Part Number	Manufacturer
C1, C2	0.1 μ F	0402BB104KW160	Passives Plus

Notes:

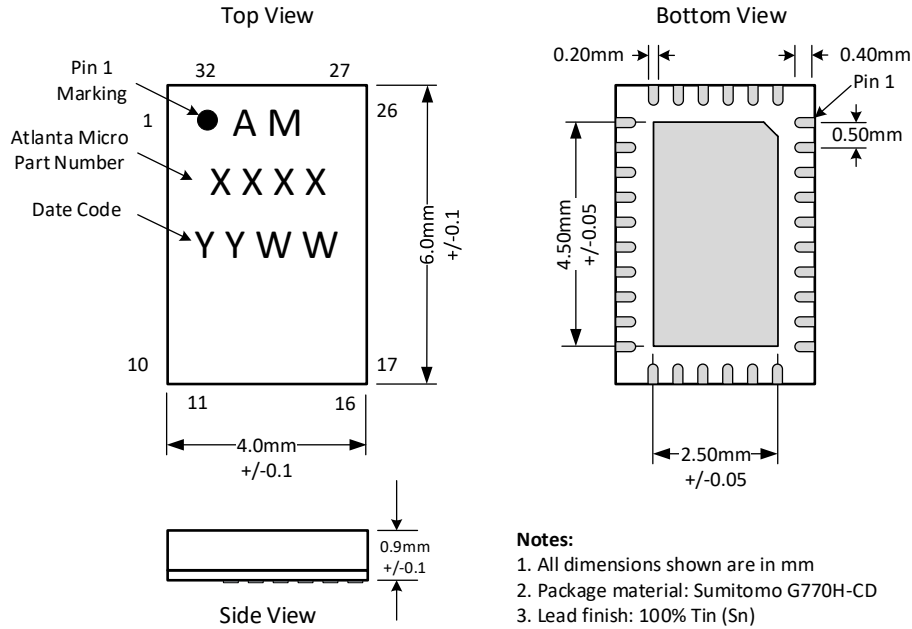
1. RF blocking capacitors should be high performance, low loss, broadband capacitors for optimum performance
2. VDD and control lines filtered internally providing high frequency isolation to 20+ GHz

AM3065 – Filter Bank

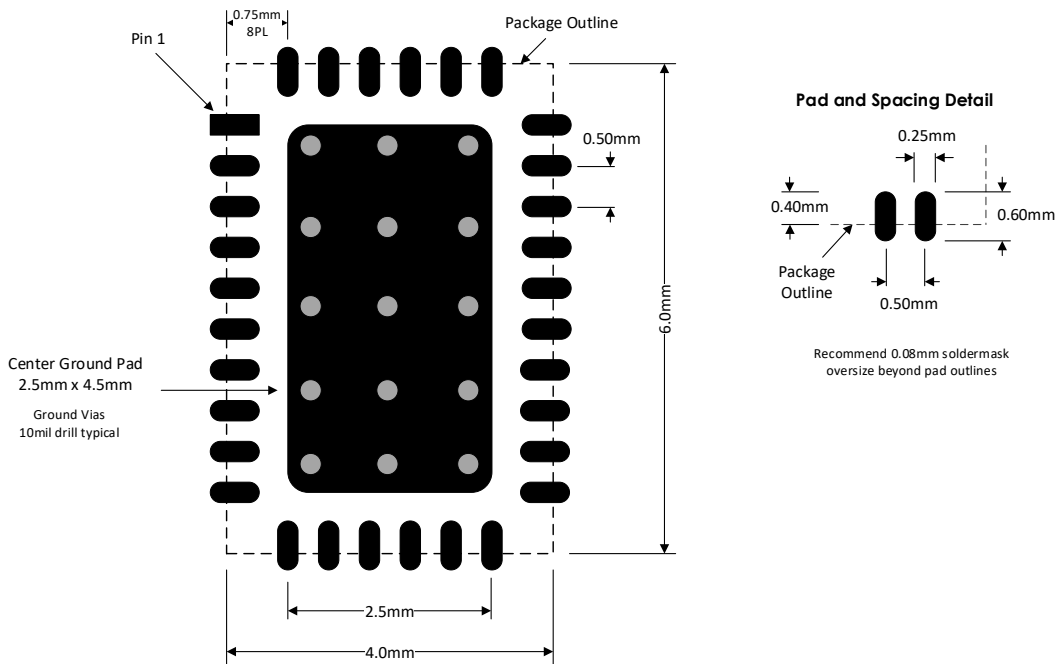
Digitally Tunable 6.0 to 12.0 GHz Bandpass

Package Details

Package Drawing



Recommended Footprint

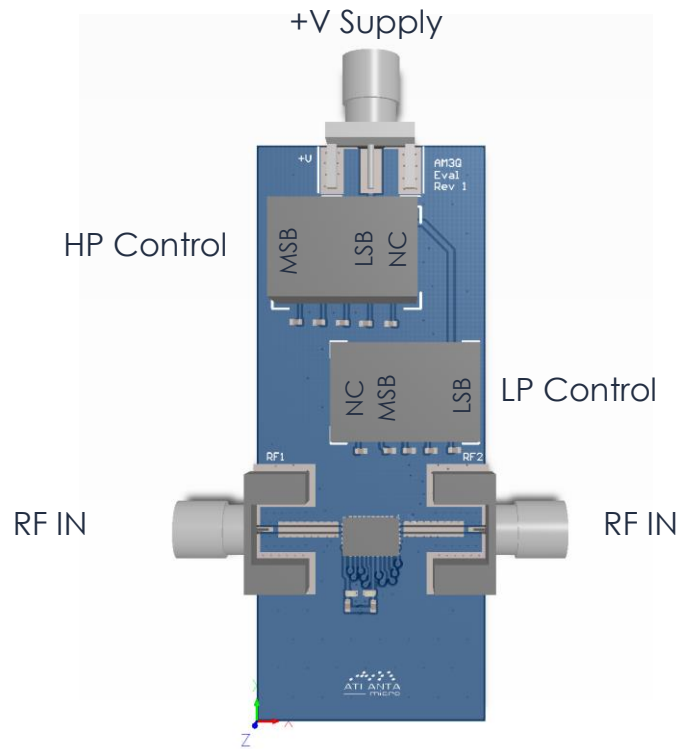


AM3065 – Filter Bank

Digitally Tunable 6.0 to 12.0 GHz Bandpass



Evaluation PC Board



Related Parts

Part Number	Description
AM3043	7.0 GHz – 15.5 GHz Digitally Tunable Bandpass Filter
AM3045	3.5 GHz – 5.5 GHz Digitally Tunable Bandpass Filter
AM3060	400 MHz – 6.5 GHz Digitally Tunable Bandpass Filter
AM3063	6.0 GHz – 18.0 GHz Digitally Tunable Bandpass Filter Bank
AM3066	18.0 GHz – 26.5 GHz Digitally Tunable Bandpass Filter Bank
AM3102	330 MHz – 1.2 GHz Digitally Tunable Bandpass Filter
AM3103	1.0 GHz – 3.0 GHz Digitally Tunable Bandpass Filter
AM3104	2.5 GHz – 6.5 GHz Digitally Tunable Bandpass Filter

Component Compliance Information

RoHS: Atlanta Micro, Inc. hereby certifies that all products comply with the EC Directive 2011/65/EC on the Restriction of Hazardous Substances, commonly known as RoHS II. All products supplied by Atlanta Micro shall be compliant with the European Directive 2011/65/EC based on the following substance list.

Substance List	Allowable Maximum Concentration
Lead (Pb)	<1000 PPM (0.1% by weight)
Mercury (Hg)	<1000 PPM (0.1% by weight)
Cadmium (Cd)	<75 PPM (0.0075% by weight)
Hexavalent Chromium (CrVI)	<1000 PPM (0.1% by weight)
Polybrominated Biphenyls (PBB)	<1000 PPM (0.1% by weight)
Polybrominated Diphenyl ethers (PBDE)	<1000 PPM (0.1% by weight)
Decabromodiphenyl Deca BDE	<1000 PPM (0.1% by weight)

REACH: Atlanta Micro, Inc. neither uses nor intentionally adds any of the substances considered to be a Substance of Very High Concern (SVHC) as defined by the EU Regulation (EC) No. 1907-2006 on Registration, Evaluation, Authorization, and Restriction of Chemicals (REACH).

Conflict Materials: Atlanta Micro does not knowingly use materials that are sourced from the Democratic Republic of Congo (DRC) or any other known conflict regions. Atlanta Micro's supply chain is comprised of sources that are both environmentally and socially responsible. We periodically review this requirement with our vendors to ensure continued compliance.

Atlanta Micro takes its responsibility as a global partner seriously and will use due diligence within our supply chain to ensure all standards are met to the best of our knowledge.