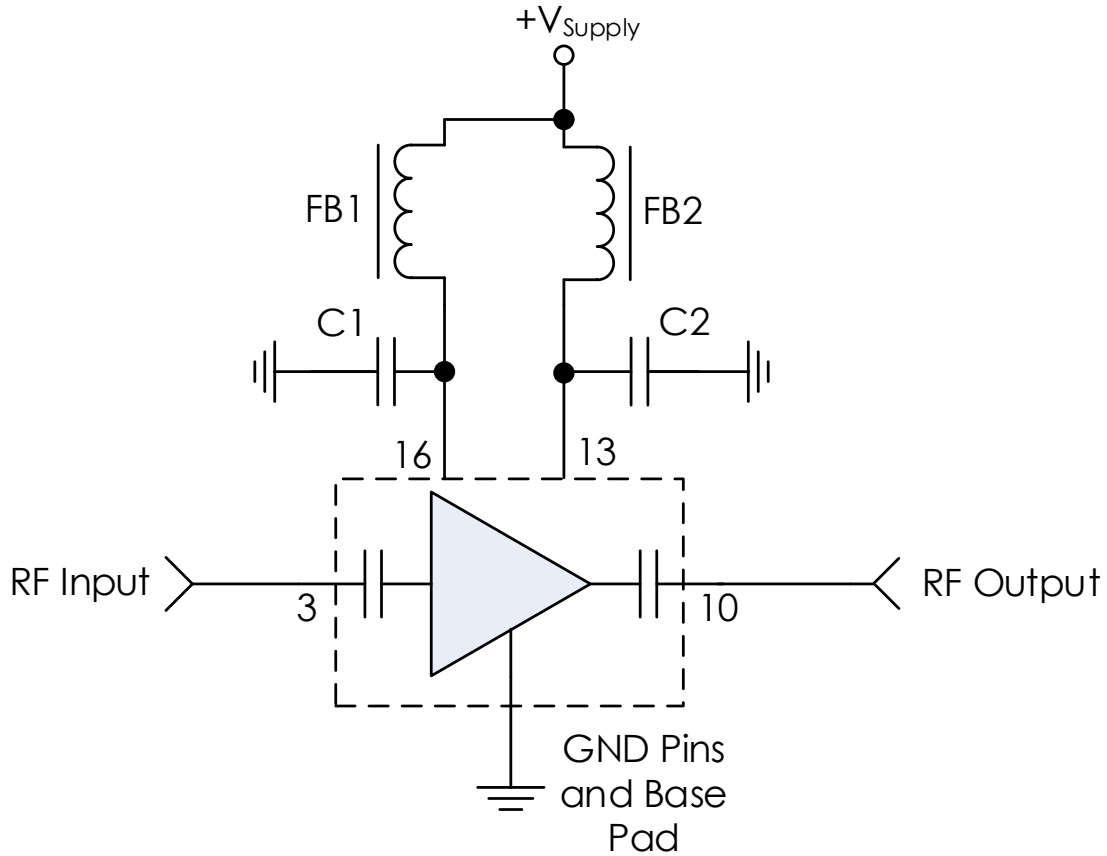


# 3mm Amplifier Application Note

## Dual VDD



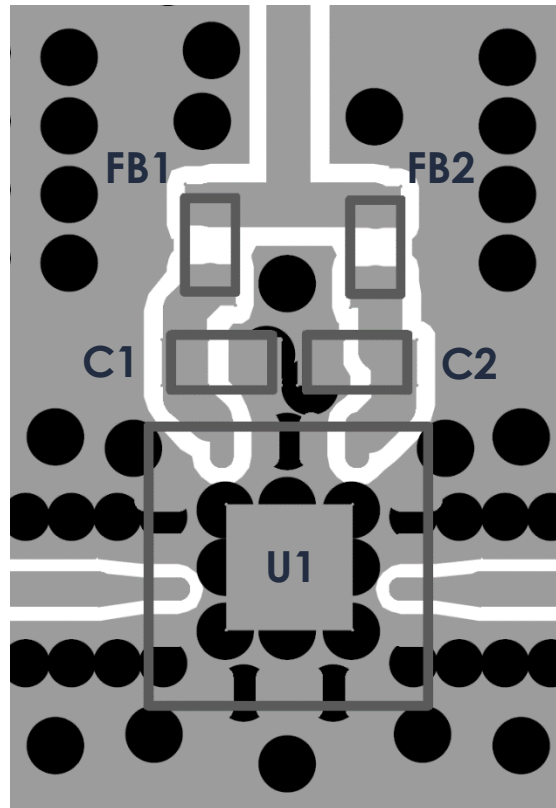
### Typical Application



### Recommended Component List (or equivalent):

Part	Value	Part Number	Manufacturer
C1, C2	0.1 $\mu$ F	GRM155R71C104KA88	Murata
FB1, FB2	-	MMZ1005A222E	TDK

### Recommended Layout



#### Notes:

1. No DC blocks needed on RF input and output as IC is internally DC blocked.
2. Recommended input trace is grounded coplanar waveguide, 50 ohms.
3. IC and RF input / output should be via fenced.
4. Vias should be placed under IC and GND pads.
5. **On AM1053, pins 1 and 14 MUST be left as Do Not Connect. Pins may be grounded for other amplifiers with this footprint, but if there is possibility that one would switch to the AM1053 leave these pins as Do Not Connect.**

### Revision History

Date	Revision Number	Notes
June 25, 2020	1	Initial Release